



# ZAHN ELECTRONICS, INC.

**E Mail**  
**ZAHN**

**4133 Courtney St. #5**  
**Franksville, WI 53126**

Email: zahn@zahninc.com

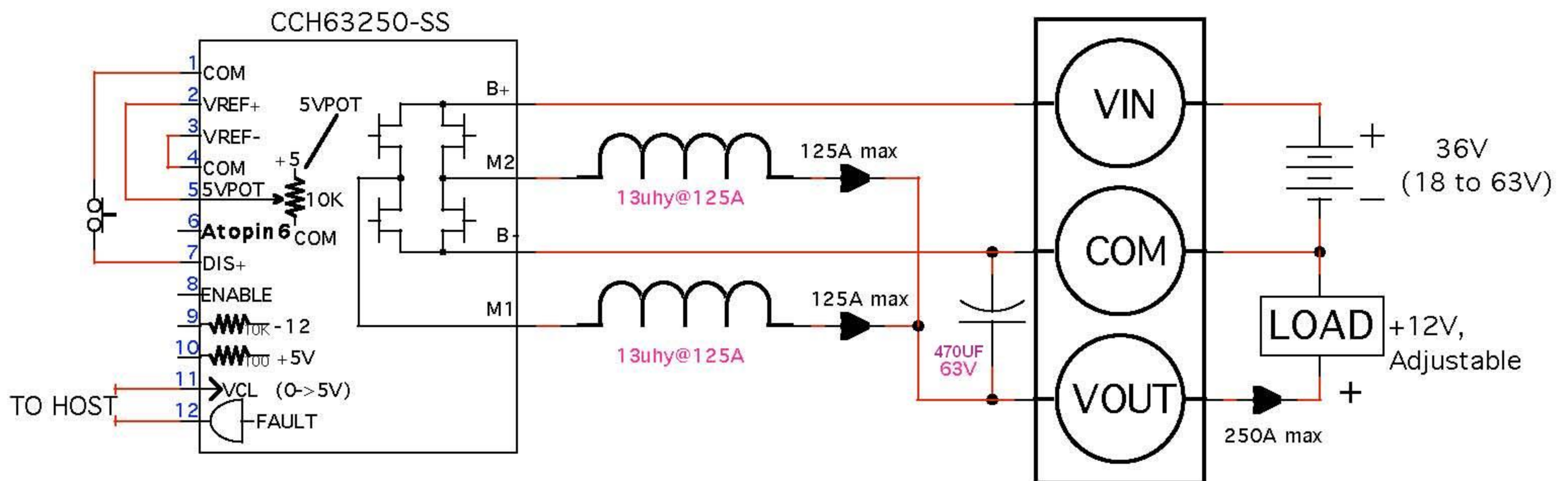
Telephone: 262 835 9200  
Fax: 262 835 9201

Website: zahninc.com

6-07

## INSTALLATION WIRING Step Down Voltage Regulator.

### DCDC36/12/3000



#### NOTES:

- 1 ADJUST "5VPOT", PIN 5, POT FOR DESIRED LOAD VOLTAGE.
- 2 WIRE DISABLE INPUT, PIN 7, TO NC CONTACT.
- 3 SELECTING CERTAIN SWITCHES ON TOP BOARD OF CCH UNIT ALLOWS ANY OF 16 ANALOG SIGNALS AT PIN 6.
- 4 VCL, PIN 11, SETS THE CURRENT LIMIT LEVEL OF THE LOAD.

SCH-1811-3